

S2P thermostatic head

Description

The COMAP thermostatic heads allow individual setting of the room temperature. They are permanent proportional regulators.

Associated with the thermostatic radiator valves (TRV) from Comap, S2P regulates accurately the temperature of individual rooms.

Versions

Valve connection	M28x1.5 M30x1.5
Sensor	Liquid sensor

Benefits

- No tool is required neither for mounting, and limiting the temperature of the head.
- Energy savings: This head rank among the highest performers in energy saving.

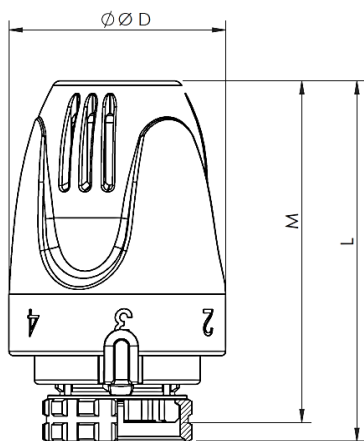


Applications

For standard hot-water heating applications

Min temperature: -10°C
Max temperature: +50°C

Dimensions




Ref	Code	D	M position 3	L position 3	M position 5	L position 5
S2P M28	L111004001	49	76	79	78	81
S2P M30	L112006001	49	79	82	81	84

Performance (EN 215 certified values)

Product	Reference	Hysteresis	Water temperature influence	Response time	Differential pressure influence	Vt
S2P M28	L111004001	0,7	1	18'	0,2	0,77
S2P M30	L112006001	0,6	0,6	18'	0,2	0,54*

*product only certified by EN215 and not by Certita for the Vt in M30

Product line

Photo	Ref	Article code	Sensor	Connection	Compatible with
	S2P M28	L111004001	Internal liquid	M28x1.5	All M28 TRV from Comap
	S2P M30	L112006001	Internal liquid	M30x1.5	All M30 TRV from Comap Heimeier type radiator inserts

Installation method

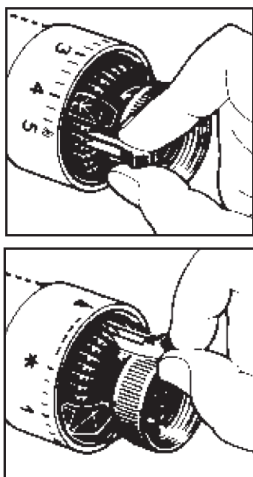
- 1 Place the index at position 5, in the vertical top position.
- 2 Screw the nut. Maximum torque is 2 Nm. No tool is required.

Setting positions

Position	*	1	2	3	4	5
Temperature	7°C	11°C	16°C	20°C	24°C	28°C



Temperature limitation

The limitation is done thanks to one loose plastic retention pin



- 1 Maximum temperature setting:
 - Set the index value regulator to the desired position
 - Place the retention pin into the opening situated on the upper value side.
- 2 Minimum temperature setting:
 - Set the index value regulator to the desired position
 - Place the retention pin into the opening situated on the lower value side.
- 3 Fixed temperature setting:
 - Set the index value regulator to the desired position
 - Place the retention pin into the opening situated in the index

Accessories

Photo	Designation	Code
	Retention PIN	W005422
	Theft-proof ring M28	582500
	Theft-proof ring M30	582530