

**Hydraulic module two-pipe  
F12003COM-F12004COM**

**Description**

H-modules two-pipe are used to connect radiators with integrated valves to the circuit. Flexible mounting : right or left, wall or floor supply.

Pipe connections using 3/4" euro cone for connecting to copper, mild steel, stainless steel, plastic and multilayer pipes in conjunction with compression adapters.

**Versions**

|                     |  |
|---------------------|--|
| Radiator connection | 1/2" female with nipple<br>3/4" male (euroconus) |
| Form                | Straight/ angle                                  |

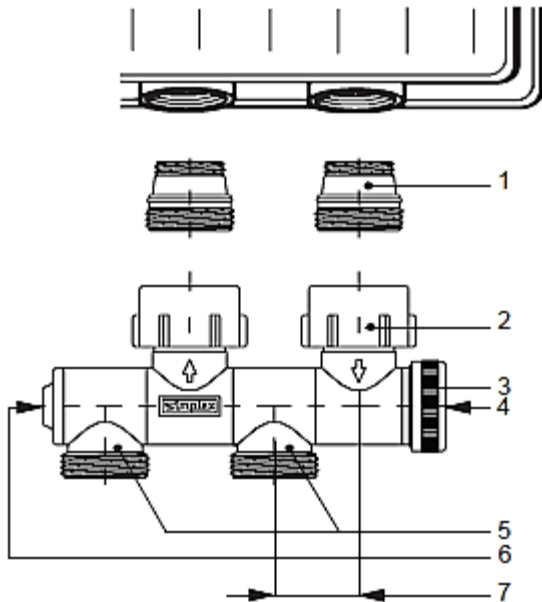
**Benefits**

- Adjustable
- Two-pipe
- Self-sealing
- Optically appealing – with its slim shape, the connection is hardly visible under the radiator



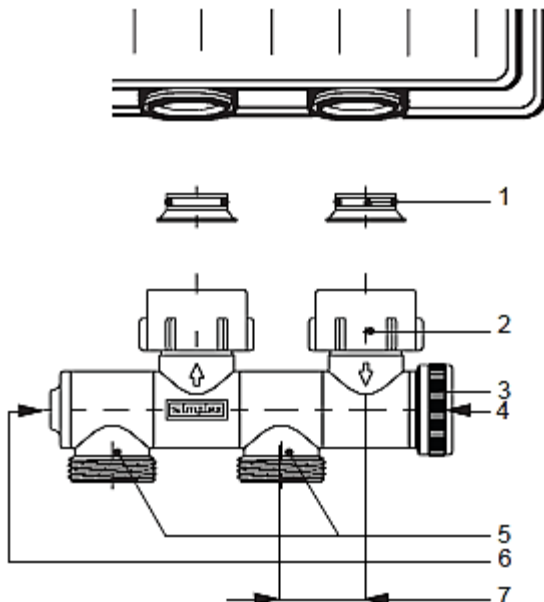
## Conception

### F12003COM



1. Radiator connection (nipple) female 1/2"
2. Female nut 3/4"
3. Cap
4. Shutt-off screw (behind the cap) (clé allen 4 mm)
5. Rotating connecting segments with 3/4 "male thread (euroconus)
6. Bypass regulating two-pipe system (allen key 3mm)
7. Center to center: 25 mm

### F12004COM



1. Radiator connection (nipple) male 3/4" (cone)
2. Female nut 3/4"
3. Cap
4. Shutt-off screw (behind the cap) (clé allen 4 mm)
5. Rotating connecting segments with 3/4 "male thread (euroconus)
6. Bypass regulating spindle two-pipe system (allen key 3mm)
7. Center to center: 25 mm



**Materials**

Body : nickel brass  
Nut : Nickel plated brass  
Nipple : Brass or cone - PA  
Needle : Brass  
Cap : nickel brass  
Sealing – EPDM

**Specifications**

Heater water system  
Maximum pressure 10 bar  
Differential pressure 0.6bar  
Maximum temperature 110°C permanent/130°C

**Product line**

| Photo  | Pipe connection | Radiator connection | Center to center | Form       | Codes     |
|--|-----------------|---------------------|------------------|------------|-----------|
|   | 3/4"E           | F1/2"               | 50               | Adjustable | F12003COM |
|  | 3/4"E           | 3/4"E               | 50               | Adjustable | F12004COM |

**Hydraulic curve**  
**FE1 1/2" FE2 3/4"**

