

**Hydraulic module two-pipe  
D1/D2/E1/E2**



**Description**

Hydraulic module two-pipe for panel radiators-special. Thanks to Comap hydraulic module, universal radiators 50mm spacing can be isolated Individually.

**Versions**

Radiator connection	1/2" female thread with self-sealing threads inserts, 3/4" male thread (euro cone), with cone inserts
Form	Straight/ angle

**Benefits**

- For crossover-free connection when supply and return pipes are reversed
- Can replace a connection valve without any problem
- With shut-off
- Aesthetically pleasing design, disappears under the radiator

**Materials**

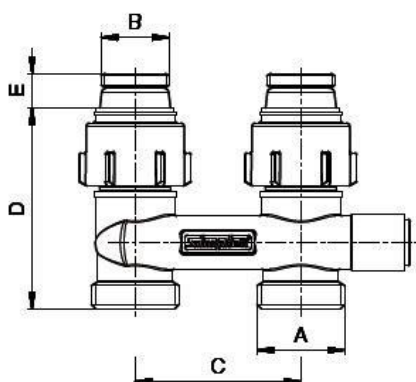
Body : nickel brass  
Nut : Nickel plated brass  
Nipple : Brass or cone - PA  
Cap : nickel brass  
Sealing – EPDM

**Specifications**

Heater water system  
Maximum pressure 10 bar  
Maximum temperature 110°C

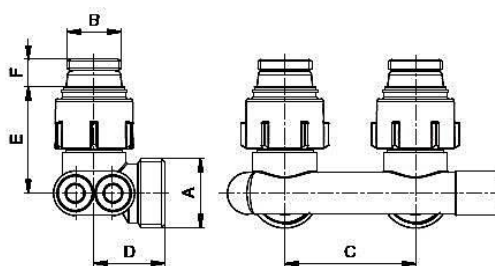
**Dimensions**

**D1**



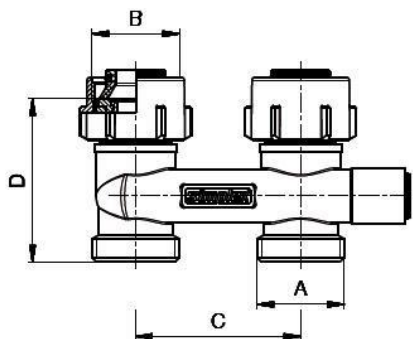
A	B	C	D	E
3/4"	1/2"	50	60.5	10.5

**E1**



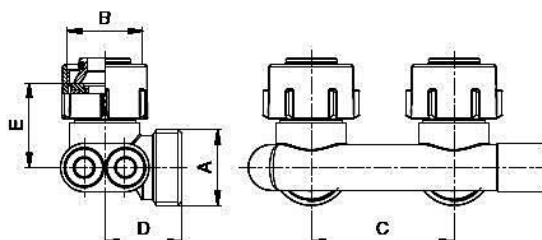
A	B	C	D	E	F
3/4"	1/2"	50	27	40.5	10.5

**D2**







A	B	C	D
3/4"	3/4"	50	49.5

**E2**



A	B	C	D	E
3/4"	3/4"	50	27	29.5

**Product line**

Photo	Pipe connection	Radiator connection	Center to center	Form	Codes
	3/4"E	F1/2"	50	Straight	F10076COM
	3/4"E	F1/2"	50	Angle	F10077COM
	3/4"E	M3/4"	50	Straight	F10078COM
	3/4"E	M3/4"	50	Angle	F10079COM