

**Hydraulic module two-pipe
960A/960E/965A/965E**

Description

Hydraulic module two-pipe with ball-valve.
Thanks to Comap hydraulic module, universal
radiators 50mm spacing can be isolated Individually.

Versions

Radiator connexion	Male 3/4" / female 1/2"
Form	Straight/ angle

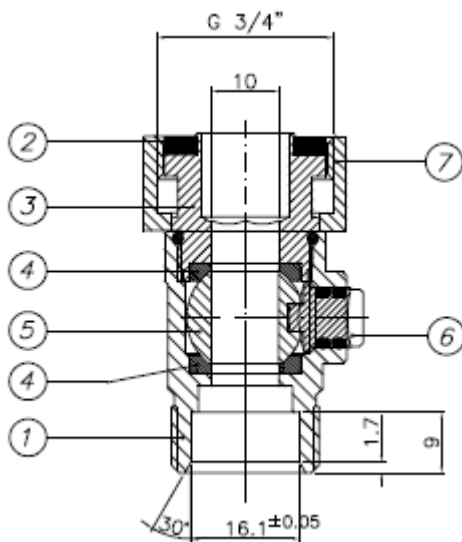


Benefits

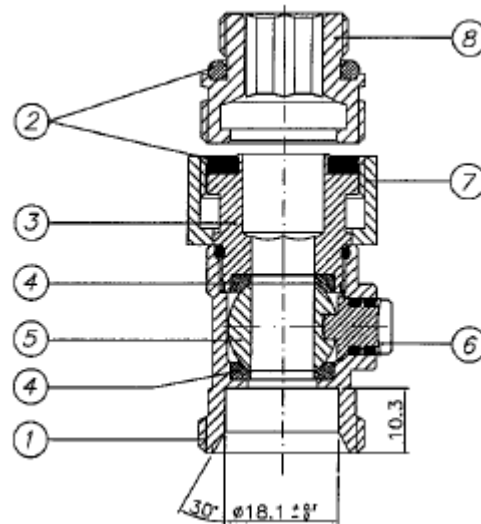
- Adjustable (Straight/angle)
- Isolation
- 10 years warranty

Conception

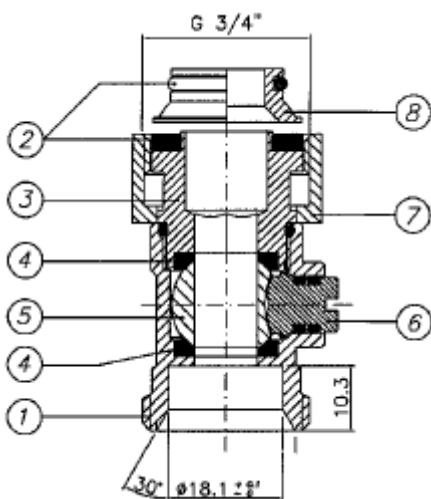
960



960 A

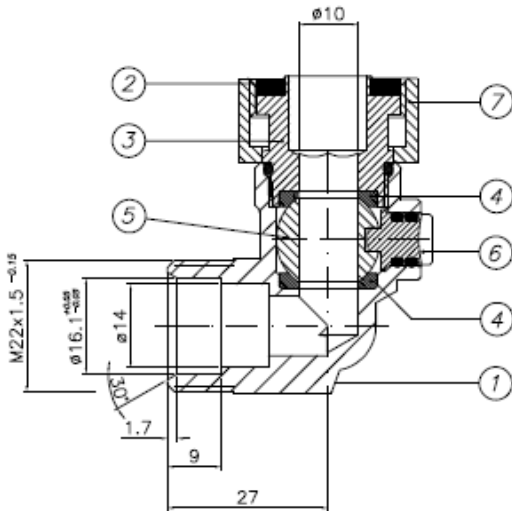


960 E

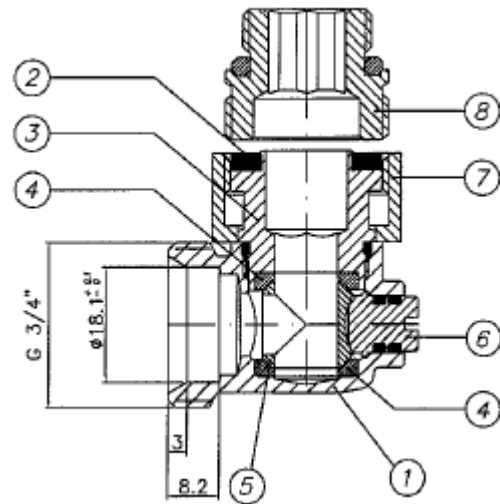


- 1. Body
- 2. Rubber ring
- 3. Brass connection
- 4. PTFE seat
- 5. Brass nickel ball
- 6. Brass screw with O-rings
- 7. Swivel nut
- 8. Nipple with O-ring EPDM

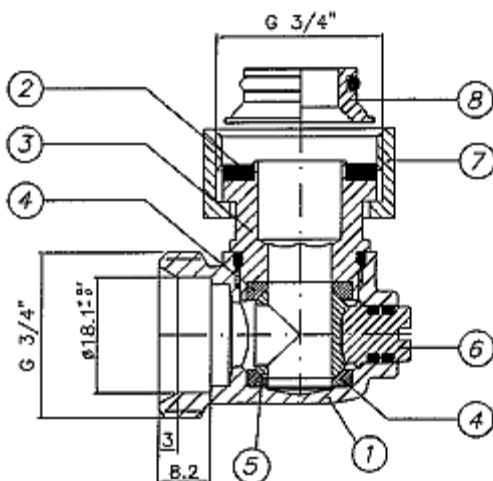
965



965 A



965 E



1. Body
2. Rubber ring
3. Brass connection
4. PTFE seat
5. Brass nickel ball
6. Brass screw with O-rings
7. Swivel nut
8. Screw by pass
9. Cap
10. Brass adaptor nipple with O-ring EPDM

Materials

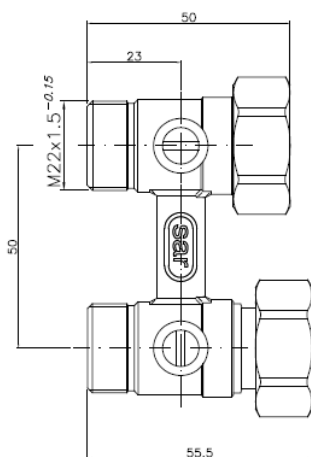
Body : nickel brass
Nut : Nickel plated brass
Nipple : Brass or cone - PA
Cap : nickel brass
Sealing – EPDM

Specifications

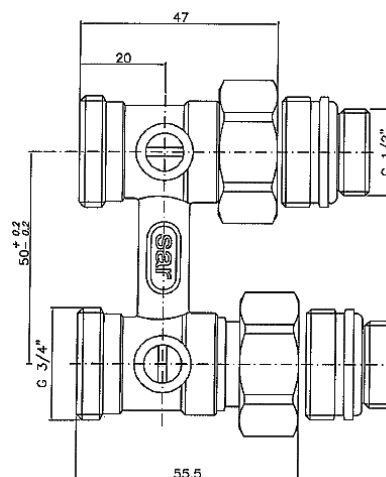
Heater water system
Maximum pressure 10 bar
Maximum temperature 120°C

Dimensions

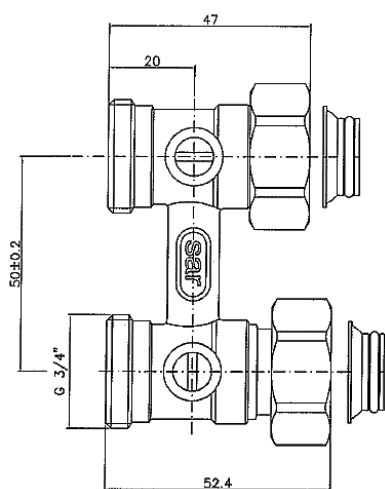
960



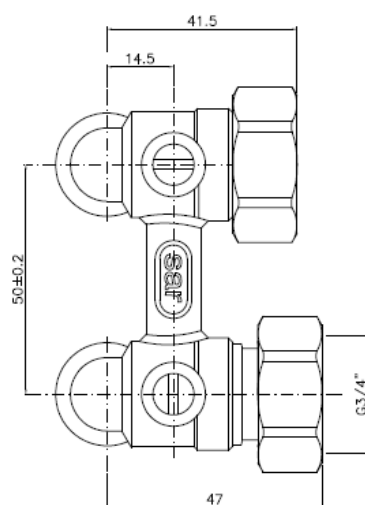
960 A



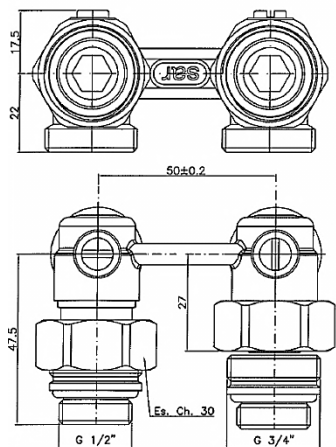
960 E



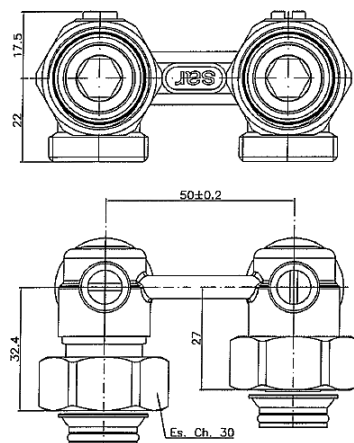
965



965 A



965 E



Product line

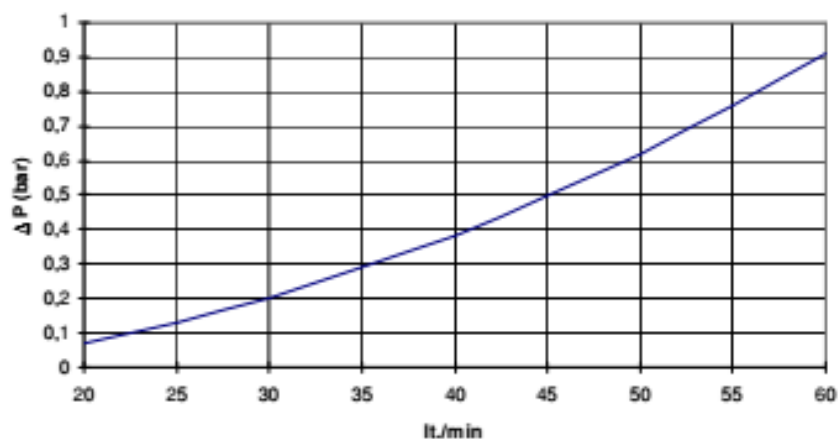
Photo	Pipe connection	Radiator connection	Center to center	Form	Codes
	M22	3/4" E	50	Straight	960100-AF
	M22	3/4" E	50	Angle	965100-AF
	3/4" E	F1/2" 3/4" E	50	Straight	960204-AF

	3/4"E	M3/4" 3/4"E	50	Straight	960206-AF
	3/4"E	F1/2" 3/4"E	50	Angle	965204-AF
	3/4"E	M3/4" 3/4"E	50	Angle	965206-AF

Hydraulic curves

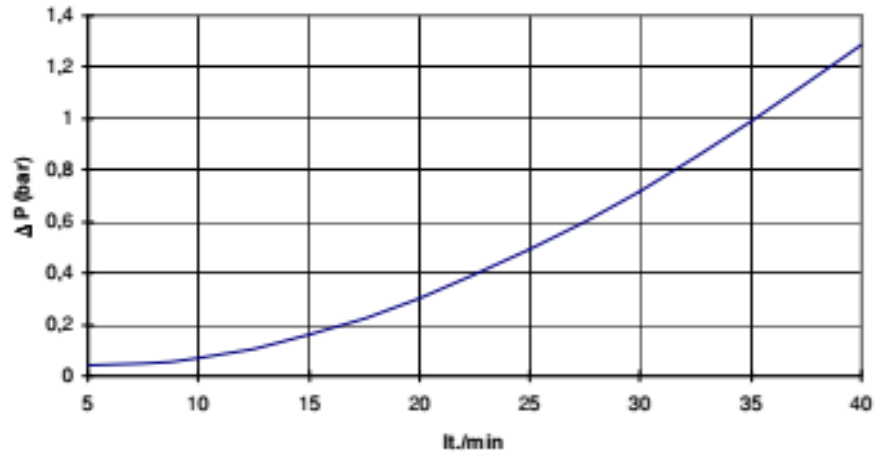
960

lt./min	ΔP (bar)
20	0.07
25	0.13
30	0.2
35	0.29
40	0.38
45	0.5
50	0.62
55	0.76
60	0.91



965

lt./min	ΔP (bar)
5	0.04
10	0.07
15	0.16
20	0.3
25	0.49
30	0.72
35	0.99
40	1.29



960A 960E / 965A 965E

