

**One pipe distributor focus 442-442B**



**Description**

Manual distributor straight single regulating monofocus internal thread, one pipe. Ideal for towel radiators.

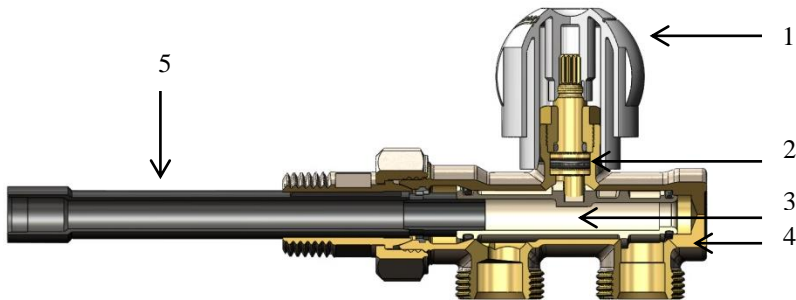
**Versions**

Alimentation	Horizontale
Tube connection	Male M22

**Benefits**

- Small, lean and discreet. Ideal for projects
- The focus model with flow and return in only one radiator connection point, together with an external valve
- The flow direction can be reversed on the 442B

## Conception



1. Handwheel
2. O'ring
3. Distributor
4. Body
5. Diffuser

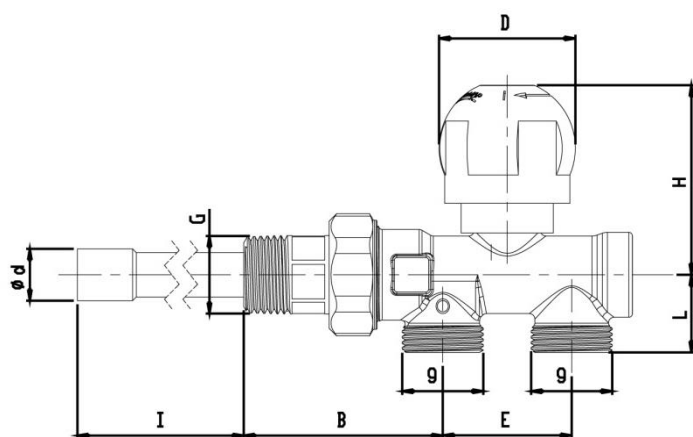
## Materials

Handwheel : ABS  
Body : Brass, nickel plated  
Distributors and repartitor : polypropylene polyoxyde phnylene (PPO)  
O-rings : EPDM

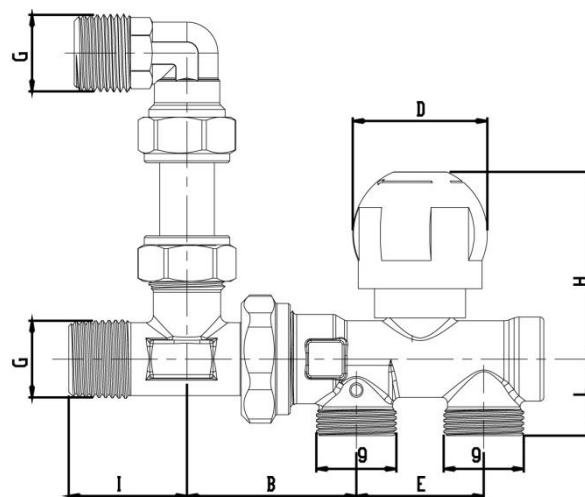
## Specifications

Heating water system  
Maximum pressure of use: 10 bar  
Maximum water temperature: 110°C

## Dimensions





442



442B

Model	Part	G	g	B	d	I	E	H	D	L
442	442622	1/2"	M22 x 1.5	54	12	118	35	52	37	21
	442624	1/2"	M24 x 1.5	54	12	118	35	52	37	25.5
442B	442656	1/2"	M22 x 1.5	45.5		32.5	35	52	37	21

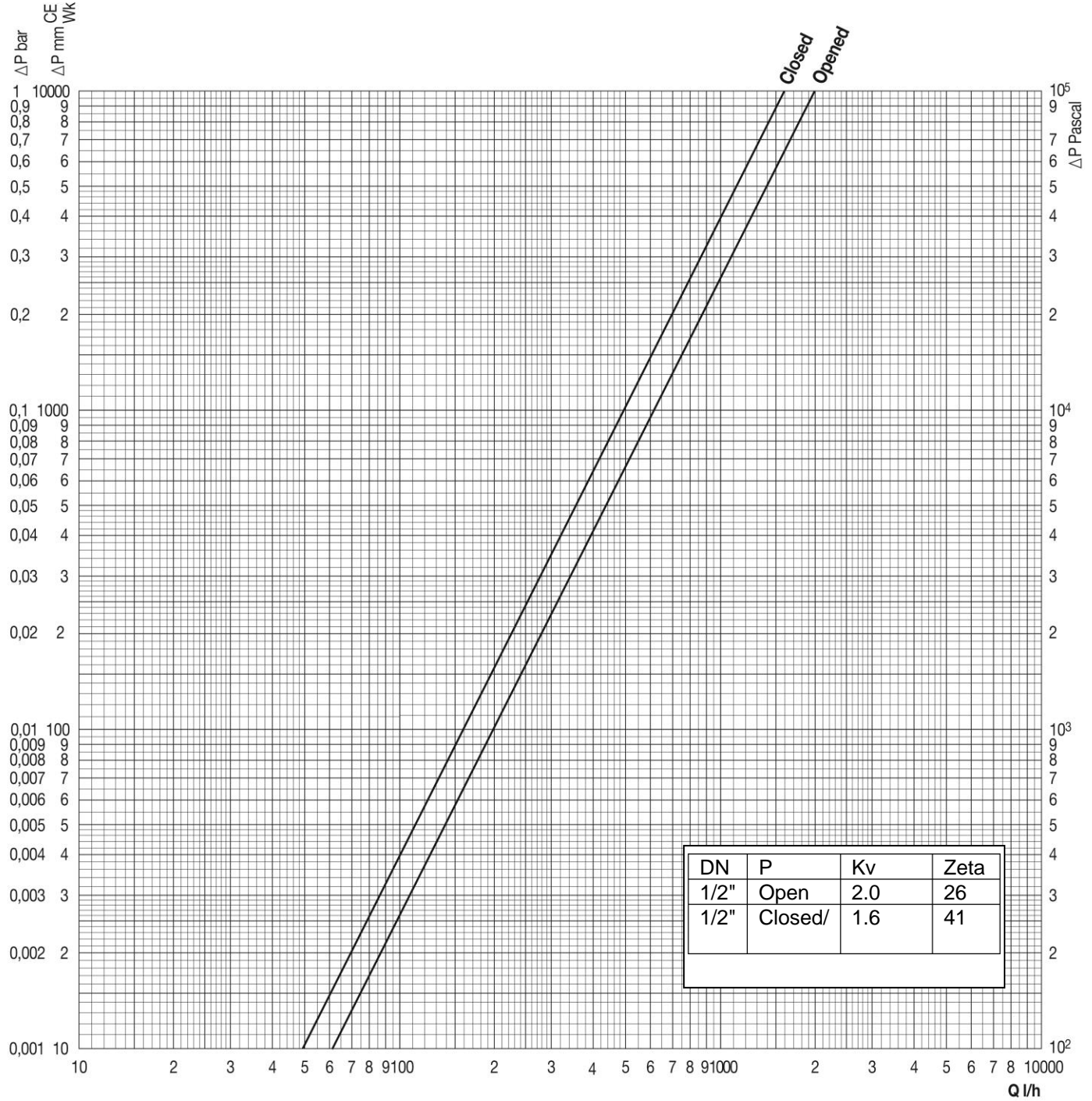
## Product range

Photo	Alimentation	Tube connection	Radiator connection	Kv open	Kv closed	Codes
	Horizontal	1/2	M22	2	1.6	442622
			M24	2	1.6	442624
			M22	2	1.6	442656

442: Connection to the radiator with a horizontal tube (retour)

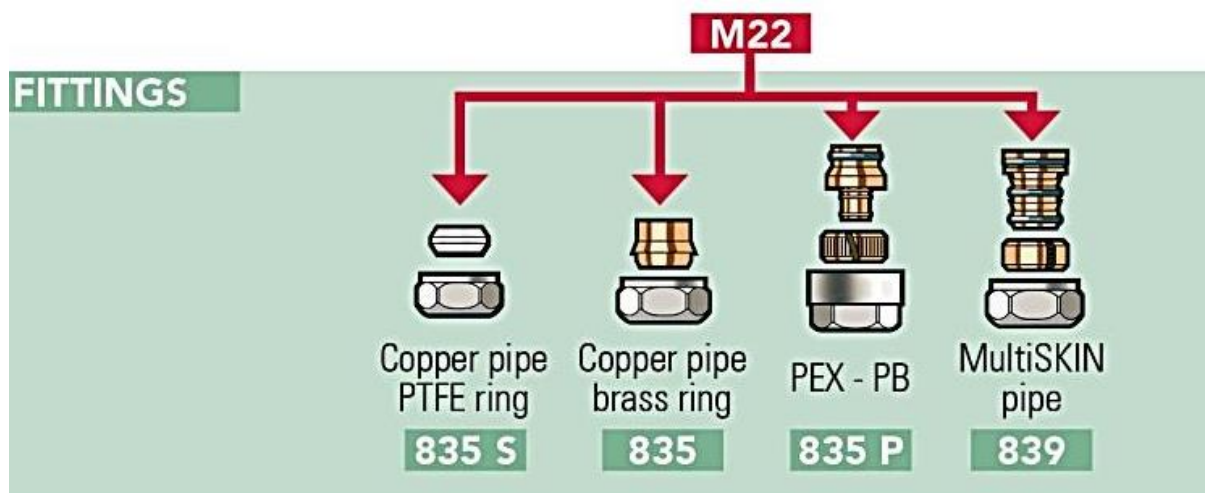
442B: Radiator connection at two points, delivered with the necessary fittings to connect the connecting tube 439T. The tube is not included

**Hydraulic graph**

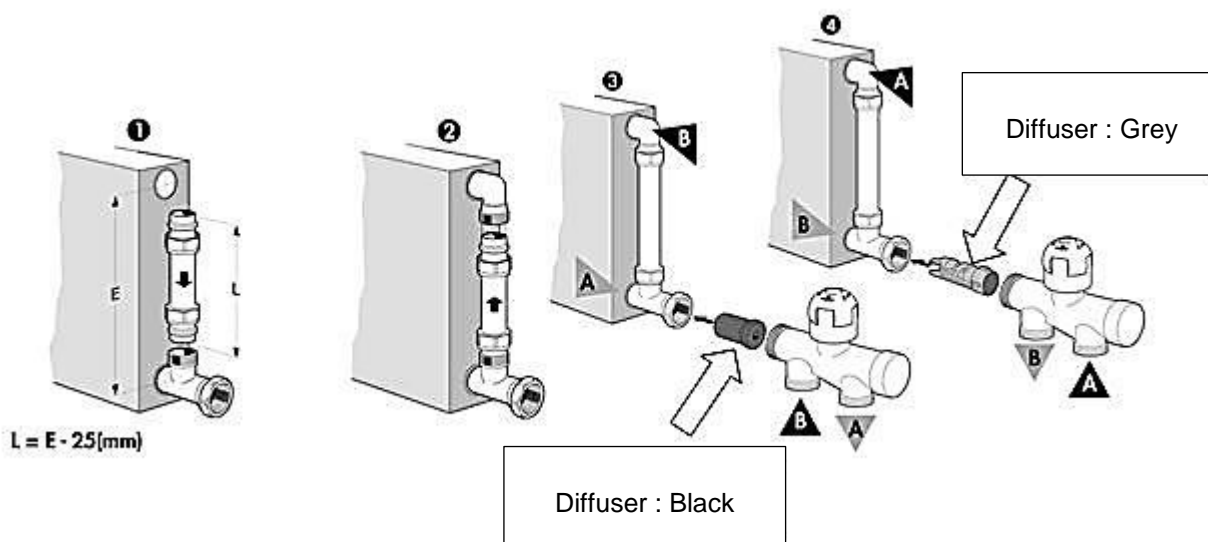




**One-pipe distributors connection**



**Installation**





**Accessories**

Photo	Designation	Dimensions	Codes
	Setting key 334		550334
	Extended lance for lance valves	L=300 diam 12	443900
	Injection lance	L=118 diam 12	VSB20C00
	Insert for injection lance L482G	1/2	VPD00B33
	Olive compression fitting M22 835	10	835410
		14	835414
		15	835415
		16	835416
		18	835418
	Mechanical fitting for PEX pipe 3/4"E 835P	16x1.5	835561
		20x2	835601
	Mechanical fitting for MultiSKIN pipe, threaded, nickel plated 839	M22 -14x2	839514
		M22 -14x2	839516
		M22 -14x2	839418
		M22 -14x2	839420
		1/2"-16x2	1C2071001
	Compression fittings M22 835S	12	835712
		15	835715
	Compression fittings for copper 3/4E nickel plated 835E	12	835912
		14	835914
		15	835915
		16	8359161
	Reinforcing insert for annealed copper 9216	8	9216008
		10	9216010
		12	9216012
		14	9216014
		16	9216016