

6803 ST-STD

Description

Thermostatic head with liquid remote sensor.
This head is notably recommended for underfloor heating application.

Versions

Liquid remote sensor	With holder, With contact sensor holder
Body connection	M28, M30
Length	0.5,2m

Benefits

- Suitable for all thermostatic radiator valves from Comap
- Temperature limitation

Applications

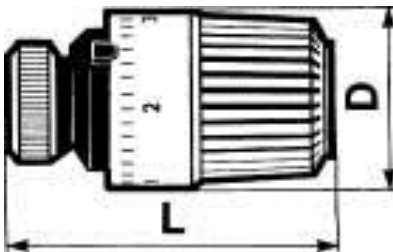
- Water temperature control inside sanitary water heaters
- Continual control/steady control of the starting circuit in mixed subfloor/radiator heating systems
- Maximum limitation of the temperature
- Minimum limitation
- Control of the fixed temperature value of the starting circuit, secondary side of heat exchanger.



Materials



Body : Acetal
Handwheel : ABS
Fixation nut: Nickel plated brass
Spings : Steel

Dimensions



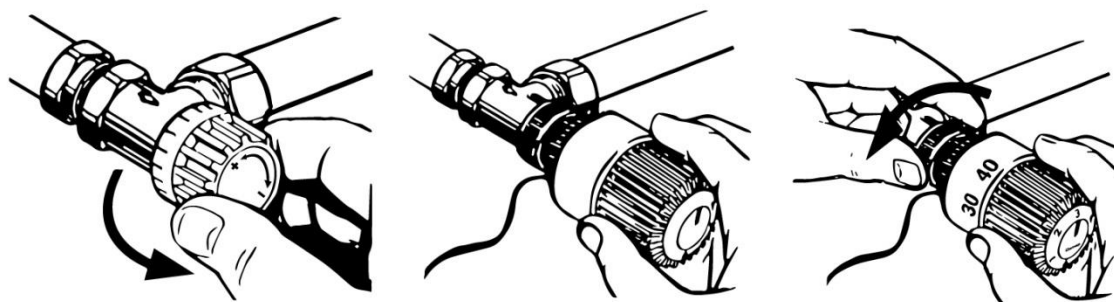
	D	L
M28	49	83
M30	49	87

Product range

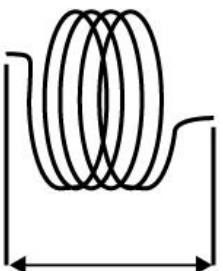
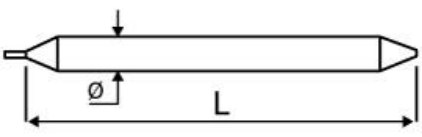
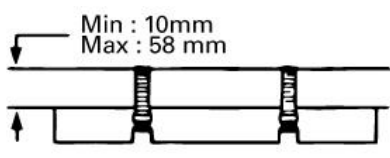
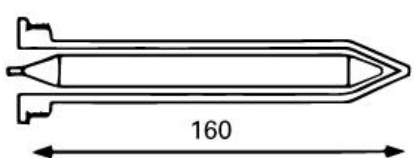
Photo	Liquid remote sensor	Body connection	Liquid remote sensor length	Length	Spring force	Temperature range	Code
	With holder 6803STD	M28	170mm	2m	3Kg	20-50°C	803880
		M30	120mm	0.5m	4Kg	25-70°C	803890
				2m		25-70°C	803892
	With contact sensor holder 6803ST	M28	157mm	2m	3Kg	25-50°C	803801

Installation method

1. Unscrew the cap on the thermostatic valve
2. Place the index at position 5 and put the thermostatic head pushing slightly (when fitting, ensure that the capillary tube is not twisted, crushed, or otherwise damaged.)
3. Screw the nut on the valve. Torque = 2Nm max

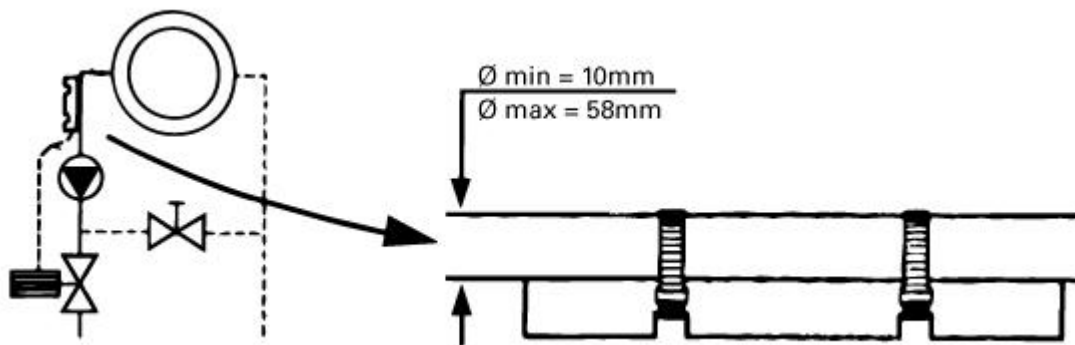


Fitting the sensor

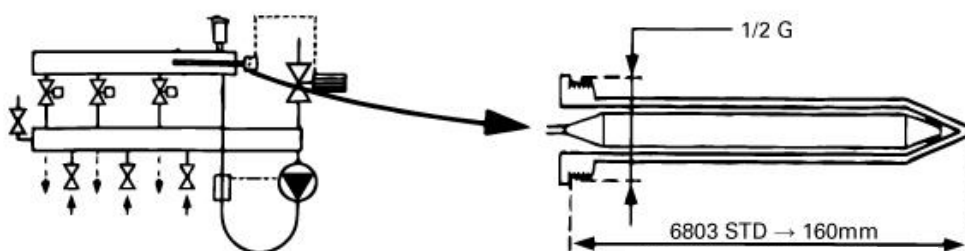
				
6803ST (803801)	2m	Ø 11mm	L 157mm	
6803STD (803890)	0.5m	Ø 11mm	L 157 mm	
6803STD (803880 803892)	2m			



6803ST

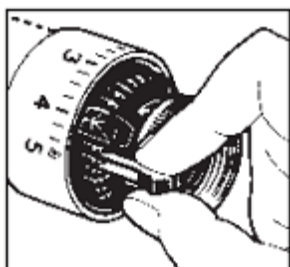


6803STD

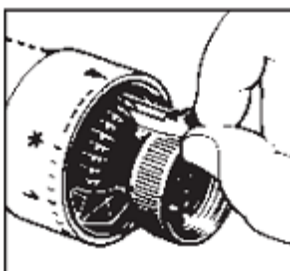


Temperature limitation

The limitation is made with a plastic pin




- 1- Minimum temperature setting:
- Place the index in the requested position
 - Put the pin into the opening beyond the desired value



- 2- Maximum temperature setting:
- Place the index in the requested position
 - Put the pin into the opening beyond the desired value
- 3- Setting fixed in position:
- Place the index in the requested position
 - Put the pin into the opening in the same place as the index

Accessories

	Designation	Length	Code
	Sensor holder	L=120mm diam 1/2	983410
		L=120mm diam 1/2	983400