

**6803C 6803FB1**



**Description**

Thermostatic head with liquid remote sensor and remote command with thermostatic valve (RTH) helps to regulate the temperature precisely and provides energy savings.

**Versions**

Body connection	M28, M30
Capillary length	2,5 ,8m

**Benefits**

- Good quality of liquid element
- Ideal when the radiator valve is inaccessible

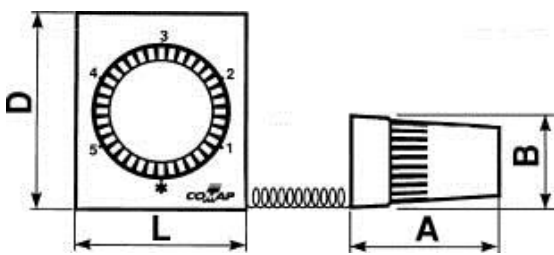
**Applications**

Heating water system with temperature between 7°C  
28°C

**Materials**


Body : Acetal  
Handwheel : ABS  
Fixation nut: Nickel plated brass  
Spings : Steel

**Dimensions**



A	B	D	L
54.5	35.5	49	87

**Product range**

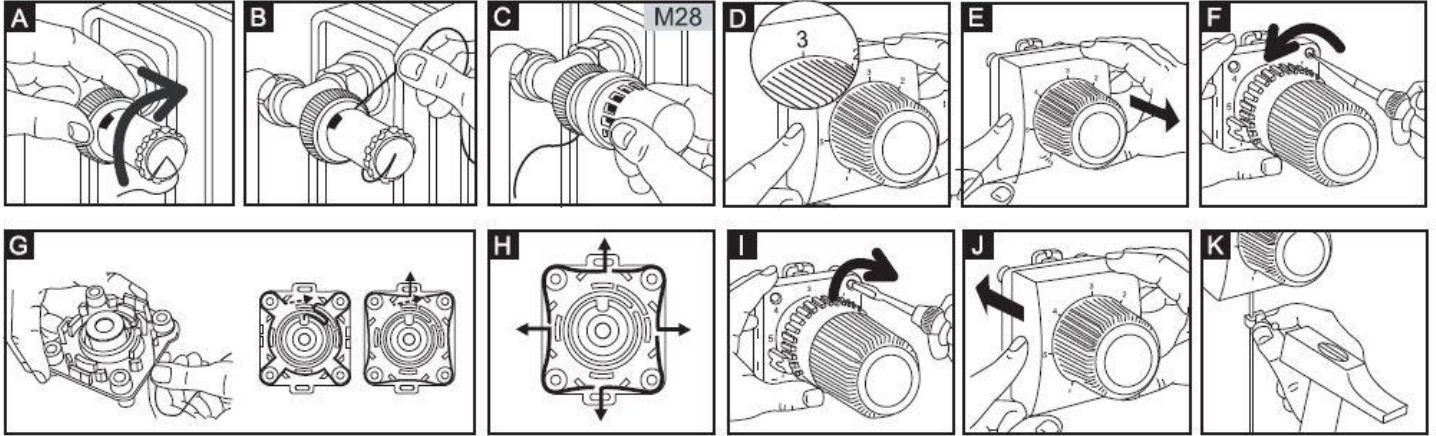
Photo	Connection	Spring force	Lenght	Code
	M28	3kg	2m	803902
			5m	803905
			8m	803908
	M30	4kg	2m	100562
			5m	100565
			8m	100568

**Temperature setting**

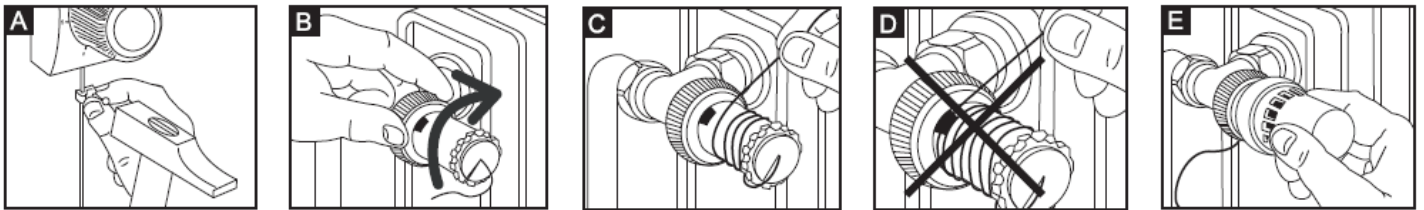
Position	*	1	2	3	4	5
temperature	7°C	11°C	16°C	20°C	24°C	28°C

It is recommended that the heads are set at position 5 during summer and in periods of non-use

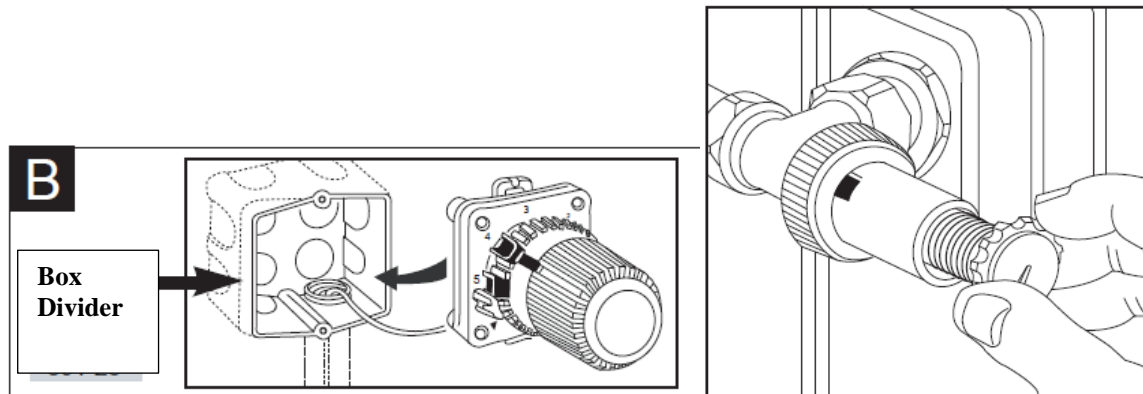
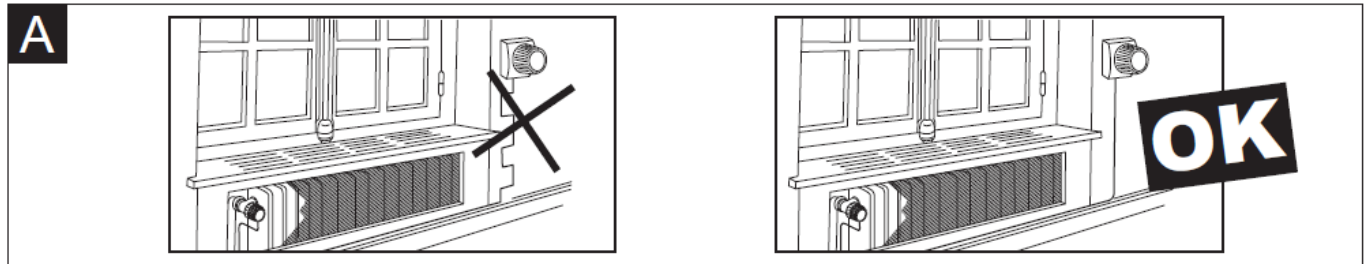
**Installation Method**  
**M28-M30**



**M28 (second method)**



**Conduit**





### Temperature locking and limitation

